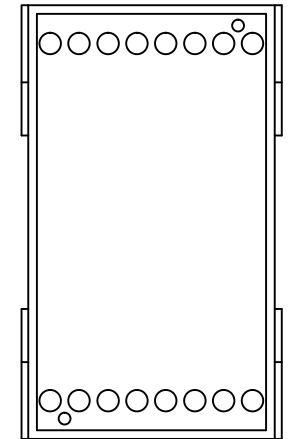
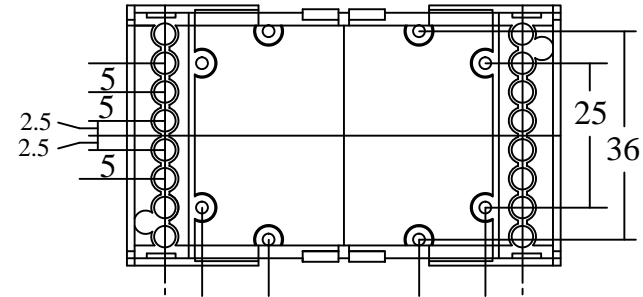
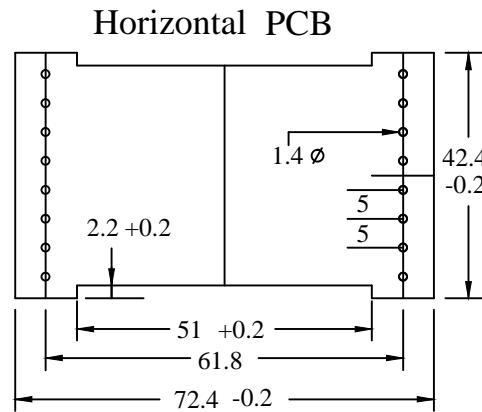
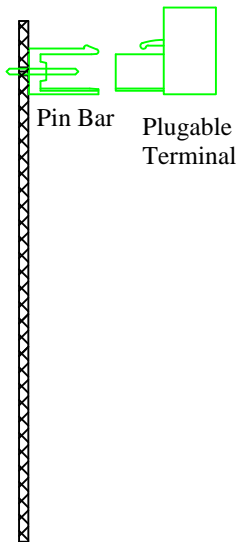
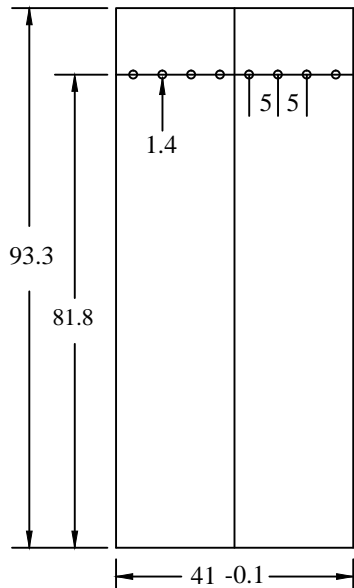


tools & components

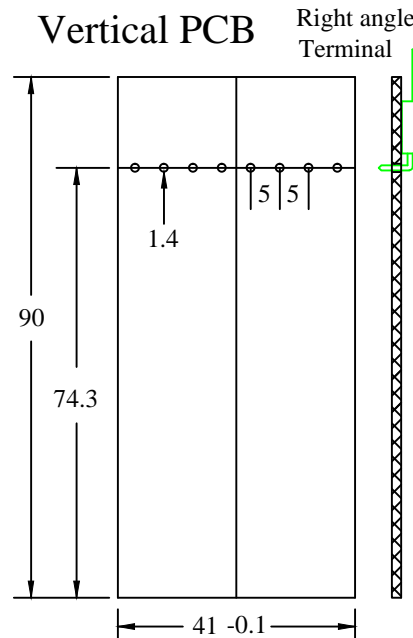
Drawings with internal dimensions of ED4-7545 and its PCB.



Vertical PCB



Vertical PCB



Right angle Terminal

Straight pin Terminal

